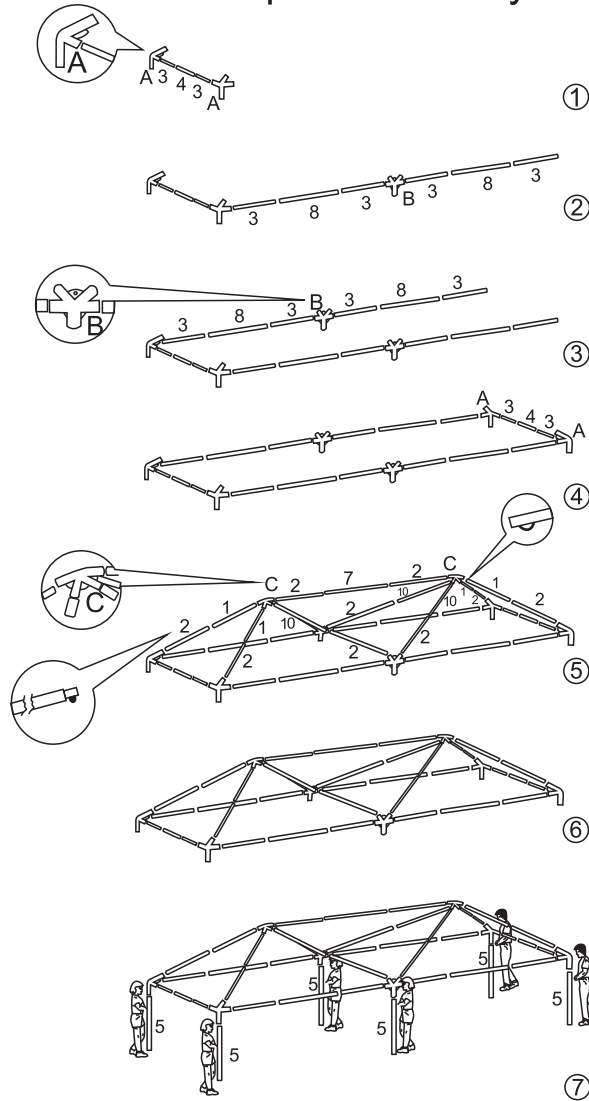
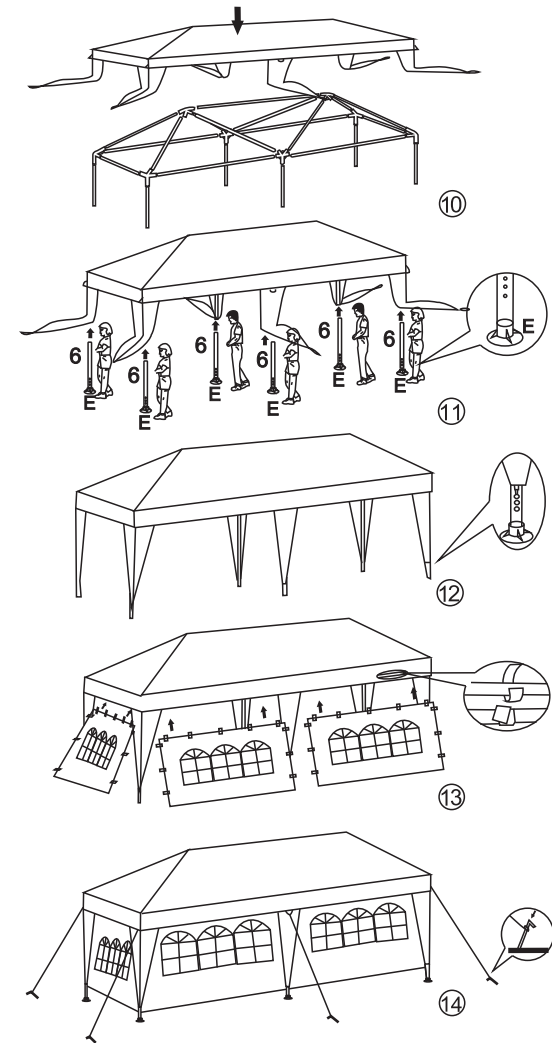




Simple Assembly Instructions



①		4PCS
②		10PCS
③		12PCS
④		2PCS
⑤		6PCS
⑥		6PCS
⑦		1PCS
⑧		4PCS
⑩		4PCS
A		4PCS
B		2PCS
C		2PCS
E		6PCS
		6PCS
		12PCS
		1PCS
		4PCS



Instruction

- 1) Take the canopy out of the box carefully and place on dry surface (sand, grass, or hard surface).
- 2) please have at least 3 people helping with the assembly, in order to avoid the damage of steel pole.
- 3) Secure tent in windy conditions by using the rope that is located on each side of the canopy and hammering stakes into the ground at a 30 degree angle to balance the sides of tent. If the canopy is placed on a hard surface, secure the 4 sides with bricks or sand bags to weigh the canopy down.
- 4) DO NOT ASSEMBLE TENTS IN RAIN, SEVERE WIND OR SNOWY WEATHER CONDITIONS, BECAUSE THIS WILL DAMAGE YOUR TENT. It is the owner's responsibility if the tents are set-up and damaged during these conditions.
- 5) Store your canopy/tent in a cool dry place when not in use.