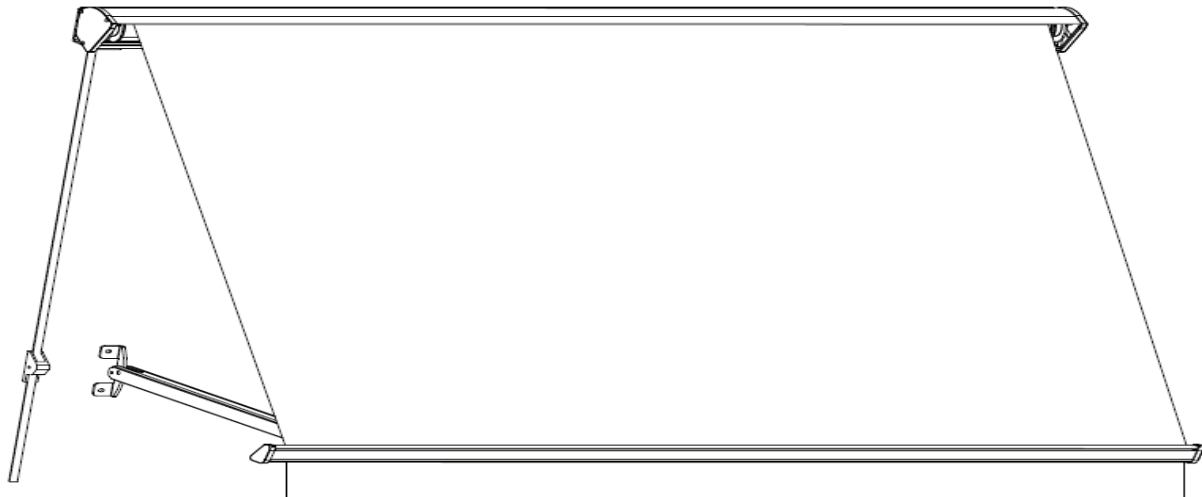


Outsunny-Assembly Instructions



Content

Packing List.....	1
Product Description.....	1
Safety Instructions.....	2
Technical Data.....	3
Preparations.....	3
Mounting.....	4
Usage.....	8
Maintenance.....	9
Cleaning.....	9
Dismounting.....	9
Storage.....	10
Disposal.....	10
Manufacturer.....	10



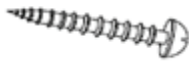

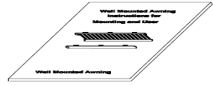


Attention:

Read this instruction manual carefully and completely before mounting and usage. Keep this manual for future reference.

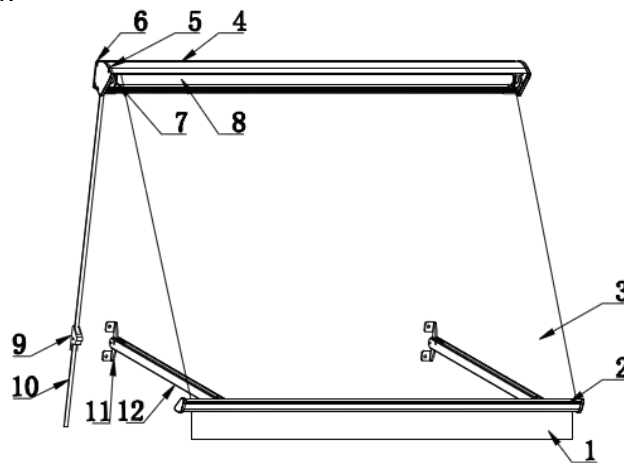
Packing List

You should find following parts in the package:

Part	Quantity
 Awning	1
 Expansion rubber sac (ϕ 8×45mm)	10
 self tapping screw(5×35mm)	10
 Wall bracket	2
 Instruction manual	1

Product Description

Window awnings are framework constructions that are mounted on building walls. The construction can be extended and is covered by a fabric shade that provides sun protection and visual cover. Your awning has been designed and developed to be used in private households, do not use it as rain shelter.



1	Flap	5	End cover	9	Rope seat
2	Front bar	6	Bracket	10	Rope
3	Fabric shade	7	Roller	11	Bracket for arms
4	Rain cover	8	Fabric roller	12	arm

Important Safety Instructions

Warning: For your own and the safety of other persons it is important to follow below instructions and obey warnings.

Symbol explanation



This warning triangle calls attention to hazards that that can lead to death or to severe injuries or which are important for the functioning of the awning.



This sign identifies important notes.

Safety instructions



To install this awning technical knowledge is necessary. Do not mount this awning yourself but contact a professional workman for help if

- ◆ you are unsure if the awning can be mounted on the place you chose for installation.
- ◆ you do not understand the instruction manual or parts of it.
- ◆ you do not have necessary tools available.
- ◆ you do not have necessary technical knowledge



A minimum of two healthy adults are required to move and install the awning as the product is big and heavy. Do not try to install the awning alone. If the awning falls, it could cause serious injuries and damages! Contact an authorized assembler for help.



Do not install the awning when you find damage parts are that parts are missing. Contact your dealer.



Keep children and pets out of the working area during assembly and adjustments.



This product and its fixing parts are only suitable for installation on a plain cement wall or stable unrendered brickwork. If the wall/brickwork shows cracks you have to consult a professional.



If your building has an exterior shell (such as insulation, double brick wall, brick facing), installation should be taken out by a professional.



Nobody is allowed to change the products' design and structure without the permission of manufacture or authorized deputy.



Please make sure that your hands are clean at the time of the assembly; otherwise you may soil the awning fabric and frame.



The operation in frosty conditions may damage the awning.



The operation in snowy conditions may damage the awning.



In case of rain retract the awning if tilt angle is less than 14°.



Nobody is allowed to climb onto the awning. Hanging anything on the awning is forbidden.



Sheeting was used to protect the paint. This must be removed afterwards.



When extended, various forces, including wind and rain, will affect an awning. These sometimes substantial forces must be absorbed by the awning and transferred to the assembled structure via its mounting brackets. Under extreme loads, excessive attractive force can be exerted on the anchor bolts. Therefore, **before starting assembly, check the load-bearing capacity of the mounting base and if necessary take corresponding measures to ensure stable installation of the brackets.**

If the mounting base is unstable, you have to consult a specialist in your vicinity.

Technical Data

	SP2014 Series	
Model	120x70cm	180x70cm
Adjusting angle	5-45°	
Gear ratio	1:7	
Wind resistance	Beaufort scale 4 (28km/h)	
Lifetime	5 years (assuming the frame is opening and closing twice a day)	

Preparations

Make sure that no children and pets are present during mounting. They could get hurt by lain out parts or tools.

Carefully remove the awning from the box and remove the styrofoam protectors from the awning, carefully place the awning aside to avoid having it damaged by scratches or otherwise damaged or soiled during assembly. Check the number of parts in the packaging whether the packing list requirements, the quality of parts availability issues, if questions, please contact the supplier.



Be aware the sudden extension may occur during unpacking.

Tools needed for assembly:

- | | |
|---------------------|-----------------------|
| ✓ Drill | ✓ Stepladder |
| ✓ Drill bit, 8mm | ✓ Tape measure |
| ✓ Level | ✓ Chalk or marker pen |
| ✓ cross screwdriver | ✓ Wooden hammer |

Mounting



Mounting on a concrete or brick wall

The awnings must be installed at least at the height of 2.5 m only on a reinforced concrete wall or massive brickwork. Please ask professionals for help if you are not sure. If your building has an exterior shell (such as insulation, double brick wall, brick facing), installation should be taken out by a professional.

If the wall/brickwork shows cracks you have to consult a professional.



Make sure the wall is plain, so that bracket seats solidly.



WARNING! Two healthy adults with technical knowledge are needed to move and install the awning.



For safe and smooth installation think about where you will be securing the awning to the wall before you start drilling holes.

Step 1: Chose Mounting Location

Ensure that you also take this drop height into account in your decision on where to install the awning.

In the event you would like to mount it above a balcony door, you should leave a space of at least 20 cm above the door frame if there is enough space available above the door frame.

Step 2: Mark Drilling Holes

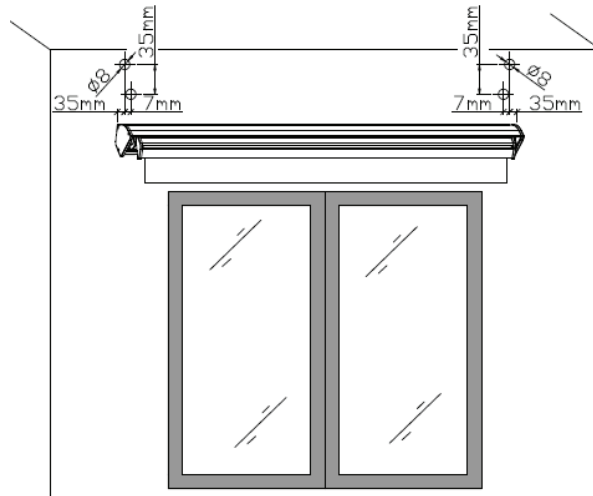
After choosing mounting position you can mark where you need to drill holes for the brackets. Draw a horizontal line at the height of the required place. Use a long taper measure, a level and chalk.

We already marked where and with what width brackets need to be mounted. Measure the width between the brackets and copy it to the line on your wall/ceiling.

Hold a bracket with the lower mounting hole on the height for the chalk line to the wall and mark the two drilling holes. Use the bracket at centre mark template by running a marker pen through the holes of the brackets.

Alternatively you can use the packing to make a centre mark template. Just lay the awning inclusive brackets on the packing and mark the drilling holes. Then hold the template against the wall in corresponding height. Use a level.

Figure 1:
Mark drilling holes by using a chalk line to ensure that awning will be level after mounting.



Step 3: Fixing the brackets

Use 8mm masonry drill to drill the holes for the brackets at the appropriate marks on the wall. The holes should be 4.5cm deep in the wall and must be drilled through solid masonry or concrete. Do not bore through mortar because this does not offer the strong enough support for the heavy duty anchors, which are required for the installation of awning.

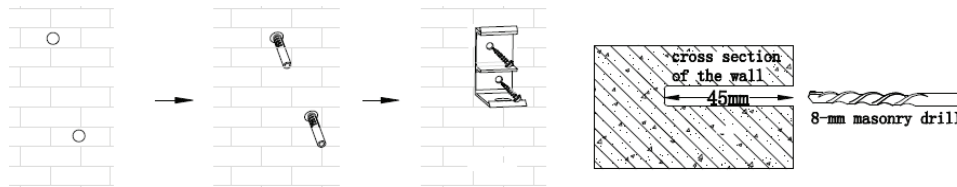
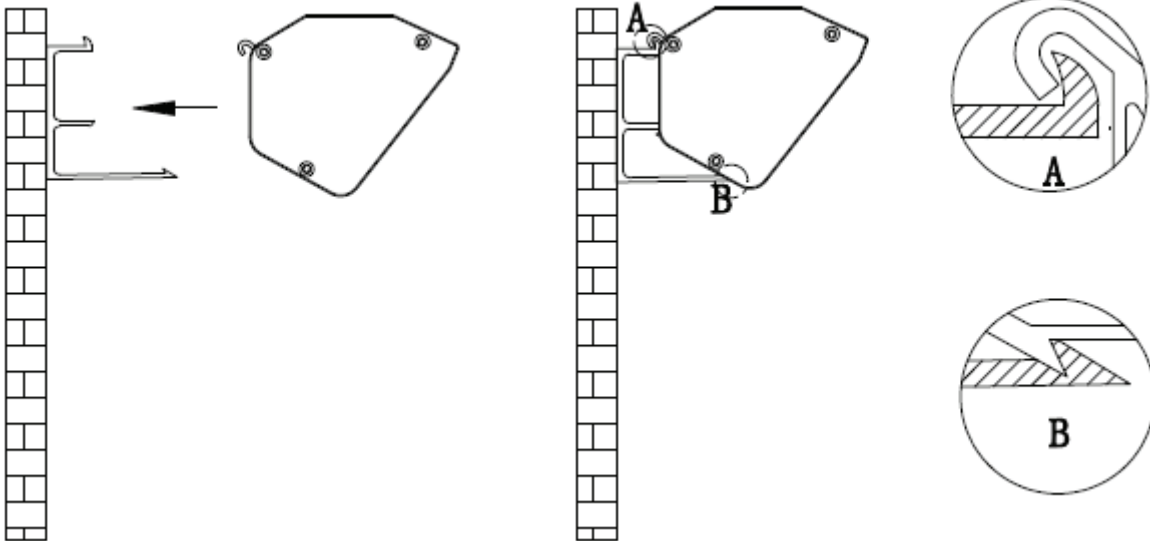


Figure 2:
Use 8mm masonry drill to drill 4.5cm deep holes.

Step 4: Install awning

After all two brackets have been mounted properly you can fix the awning. At least two ladders or treads are required to install the awning in order to obtain the required height. Ensure that the ladders/treads are firmly resting on the ground so that you cannot fall. Only use ladders/treads that are suitable for such assembly work.

Insert the awning into brackets as shown in drawing below.



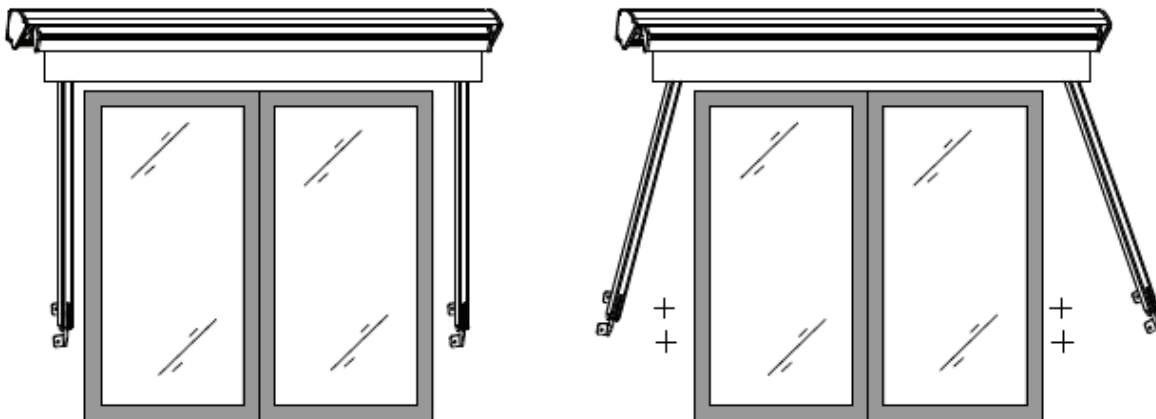
Remove the safety belt after mounting; otherwise the awning cannot be extracted. Keep the belt; you can use it when storing the awning.



Attention: Misplacing and misapplying the awning can cause seriously danger. Only mount the awning yourself when you understand the mounting instructions completely and when you are sure that the wall you want to mount the awning on is suitable. For your own and the safety of other people please contact an authorized assembler for help.

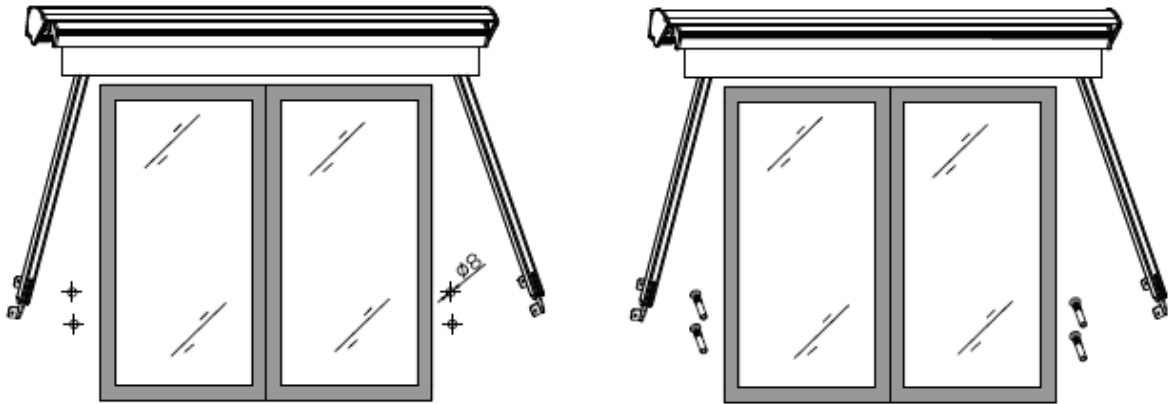
Step 5: Install arms' brackets

1. Retract the awning's fabric tightly, droop the two arms naturally, move the two arms to a suitable place beside the window, then take marks opposite the holes in the arms on the wall.

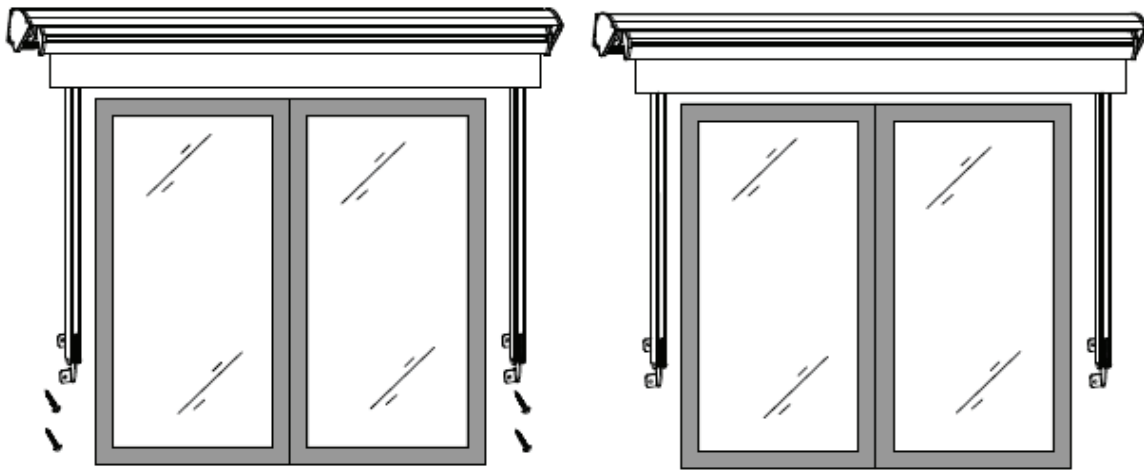


2. Use 8mm masonry drill to drill 4 holes for the brackets at the appropriate marks on the wall.

The holes should be 5cm deep in the wall, then put the expansion rubber sac into the wall.

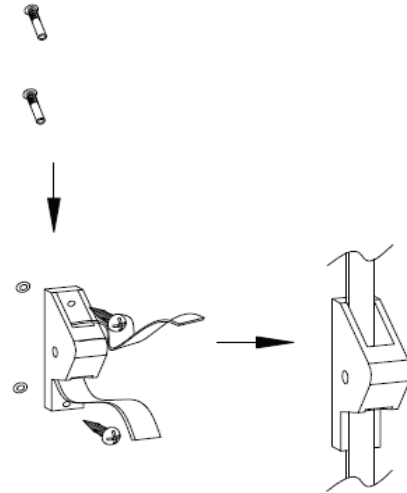
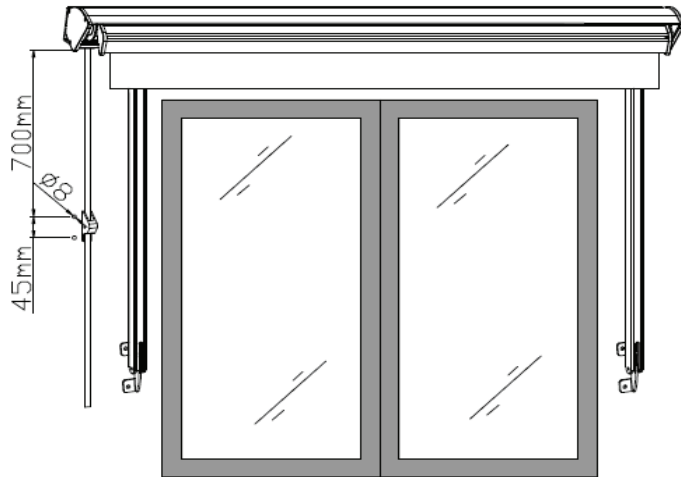


3. Fixing the arms' brackets with the self tapping screw.



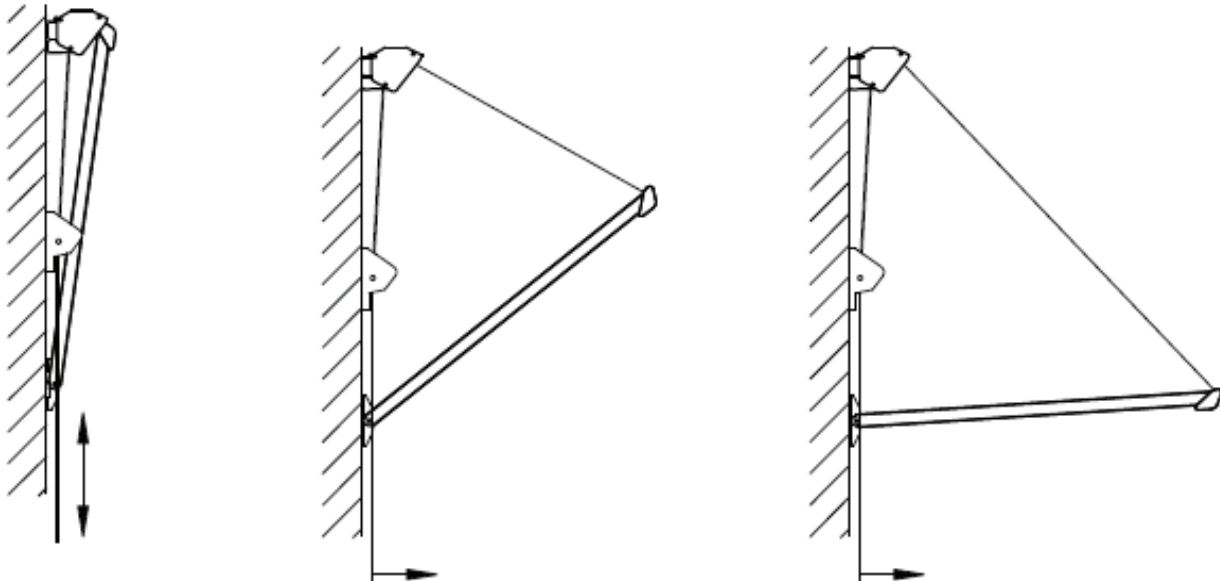
Step 6: Fixing the rope's bracket

Use 8mm masonry drill to drill 2 holes for the brackets at a suitable place, the holes should be 4.5cm deep in the wall, droop the rope naturally, then put the expansion rubber sac into the wall, fixing the rope's brackets with the self tapping screw.



Usage

Pull down the rope vertically, then loosen up the rope vertically, extend the awning to the suitable place, and then pull the rope outward lightly, finally loosen the rope lightly, the awning will fix its location.



The awnings are intended as a protection against the sun only. It is not to be used during periods of strong wind, rain, hail, or snow. In case of such conditions, retract the awning immediately.



Never allow children to play with the awning.



To avoid sudden extension of the awning during extend or retract it, make sure that no other people is standing near the awning during the operation.



If the awning malfunction, to avoid any accident or dangerous, do not take part it by yourself.



Retract the awning, when it is unused.

Maintenance

Regular maintenance will not only help to keep a long durability but is also important for your own and the safety of other people.

- ◆ Examine regularly if wall brackets are tight, fasten them if loose or lax.
- ◆ Examine the gear box once in half a year. If you find any damages stop using the awning until gear box has been repaired or renewed.
- ◆ Stop using the awning immediately if it has been damaged or it is not tighten properly.

Please contact an authorized service centre for repair and if you have any further questions.

Normally it is not necessary to lubricate moving parts of the awning. However, if it will become necessary on day, e. g. because of abnormal noise or because extracting is difficult, do only use lubricants that can be used for plastic materials, do not use lubricants that are based on petroleum.

Use a straw attached to the spray nozzle. Lubricate generously the area between the end of the roller tube and the end bracket (pivot pin). Take care not to overspray on the fabric material.

Cleaning

Frame: Over time, dust and dirt will collect on the frame and will require periodic cleaning to maintain its appearance.

A mild spray cleaner or water/detergent mixture may be applied to the frame to clean it. Wipe dust off with a damp cloth. Do not use aggressive detergents e. g. to clean oil residues.

Fabric: Clean the fabric every six months.

Only use natural soap, never use chemical detergents. Water should be cold to lukewarm. Let the fabric dry completely. Do not use heating appliances e. g. hairdryer for drying.

Dismounting

When you don't want to use the awning anymore or if you want to dispose it one day you have to demount it.

Attention! At least two healthy adults are need for this step.

- ◆ Retract the awning completely before you begin with dismantling. Bind the arms of the awning together to avoid unintended unfolding. This might cause damage and injury. You can use the protection band that was fixed on the awning when purchasing it.
- ◆ Follow the mounting instructions in reversed order to dismount the awning.
- ◆ Make sure that drilling holes in the wall will be sealed professional.

Attention! Safety hints and instructions have to be followed for dismantling as well.

Storage

When you do not want to use the awning for a longer period of time it is recommended to take the awning out of the brackets and store it.

- ◆ Make sure that the fabric is dry completely before storing. Storing a wet fabric can cause spots and damage.
- ◆ Store the awning at a dry and safe place that is not reachable for children.

Disposal

Do not dispose this awning with other household wastes. To prevent possible harm to the environment or human health from uncontrolled waste disposal, recycle it responsibly to promote the sustainable reuse of material resources. To return your used device, please use the return and collection systems or contact the retailer where the product was purchased. They can take this product for environmental safe recycling. Dispose packing materials according to local guidelines.