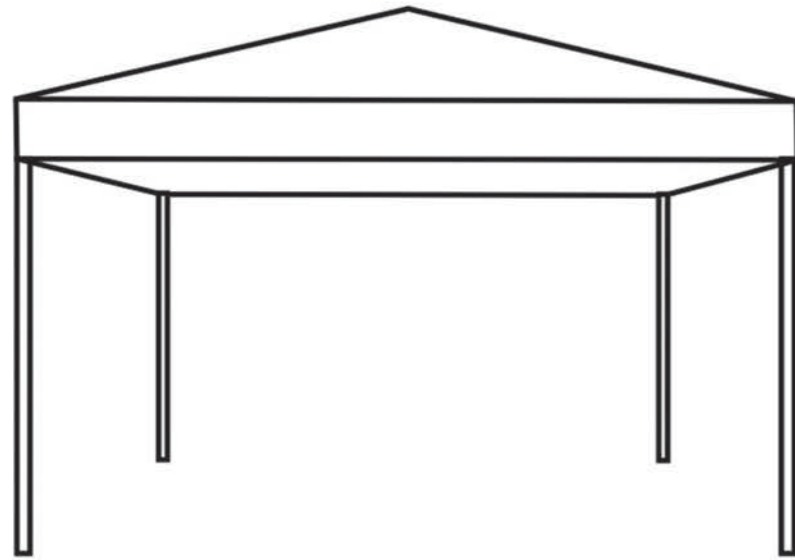




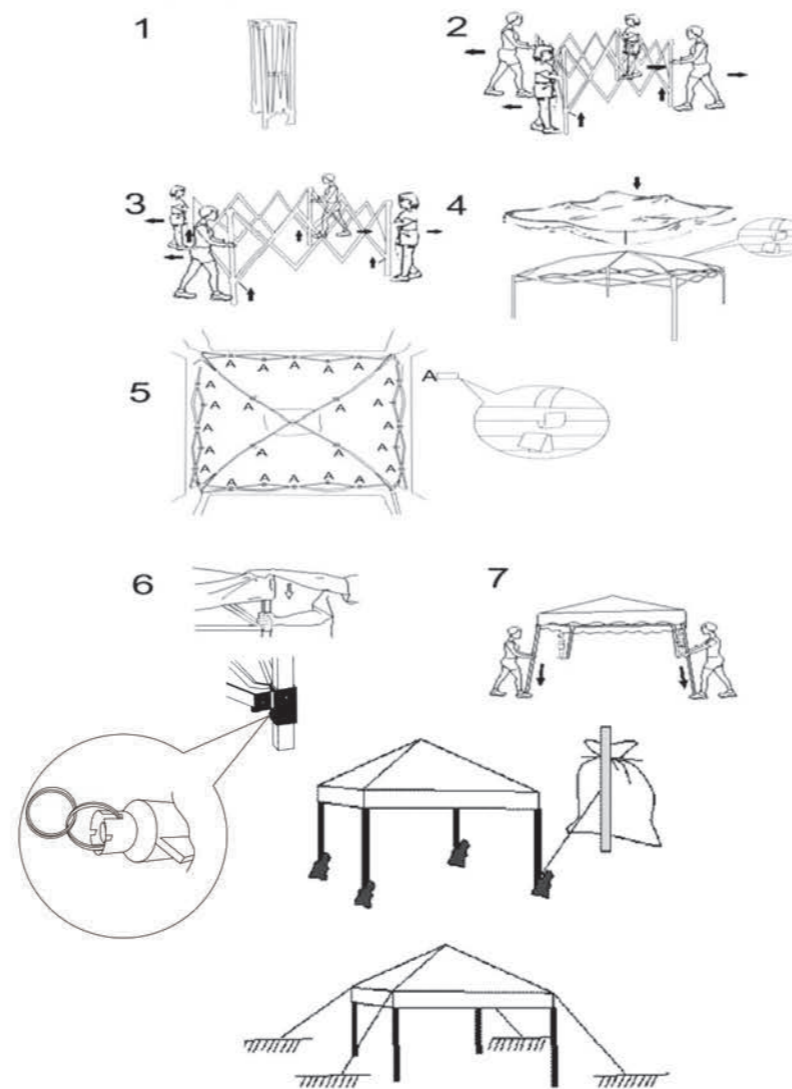
## Assembly Instructions



### OPEN GENTLY

#### Caution:

Do not set up this Gazebo in windy conditions. Doing so may result in injury and/or damage to your tent.



#### HOW TO SET UP (GB)

Follow these instructions carefully to avoid pinching your hands or fingers in any of the moving parts as the frame opens and closes. To erect the Pop Up garden shelter requires two people MINIMUM

**Note:** Your gazebo has been packed with the roof canopy separate. However, the roof can be left on the frame when folding after all subsequent uses thereafter.

Please follow these instructions carefully to avoid pinching your fingers when the frame is opening and closing. Setting up your tent requires a minimum of two people.

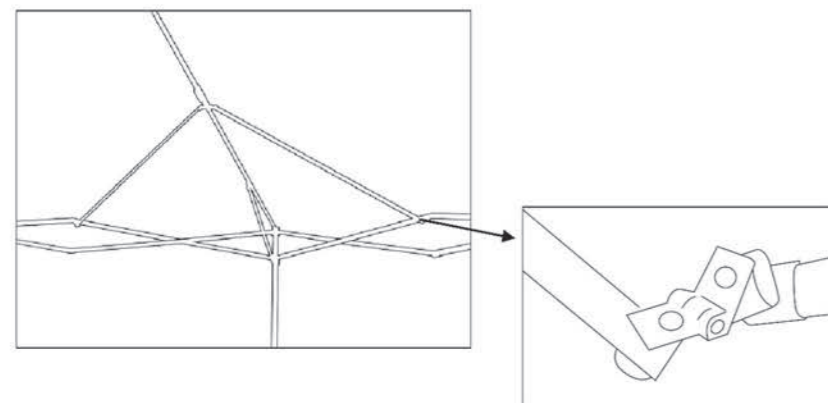
1. Place your Pop up Gazebo in the center of your working area. Next, remove the carrying bag and hold the Gazebo upright.
  2. As shown in step 2 of the diagram, open the gazebo tent with the help of partners. While working together on opposite ends, grasp the two outside legs and lift the frame slightly off the ground. Now, walk backwards while slowly opening the gazebo. Continue to open the gazebo by pushing the side supports into position as shown in steps 3 in the diagram. Next, move to opposite corners and repeat this series of steps until the gazebo is almost fully open.
- \*Be careful not to pull backwards too hard as this may bend the side supports.**
3. Engage the slider at each corner by pull out the griphook with one hand while holding down the top of the leg with the other hand (see diagram 6). Then revolve the pin with 90 degrees fit into the long slot make the plug pin into the locating hole. Repeat this procedure on the other five legs.
  4. Working in pairs, extend the support legs by stepping on the leg's foot plate and sliding the inner leg out until the snap button locks in the locating hole. Repeat this step until completed (See diagram 7).
  5. Next, attach the removable sidewalls by wrapping the Velcro straps around the leg frames.
  6. Lastly, secure the gazebo tent using the ropes. Attach the ropes to the ring at each corner and secure your Pop up Gazebo to the ground using stakes. Or, simply push the stakes through the hole on each leg's foot plate into solid soil.

#### ATTENTION:

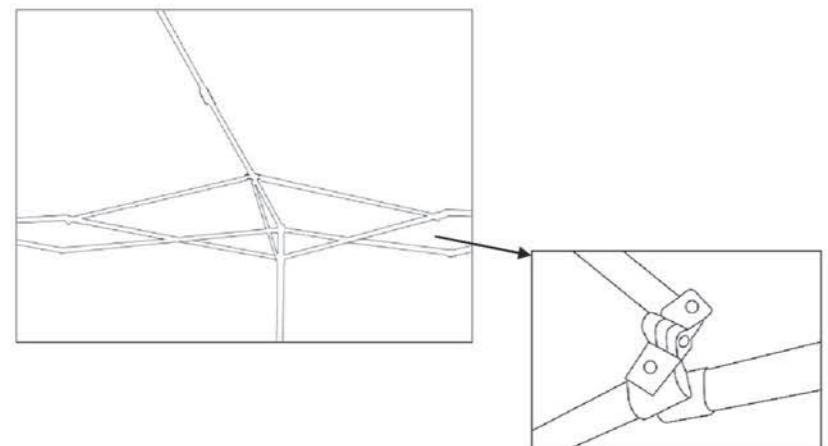
When you want to close the gazebo . Pls check the roof tube.

If like following pictures , you can press buttons to close the gazebo.

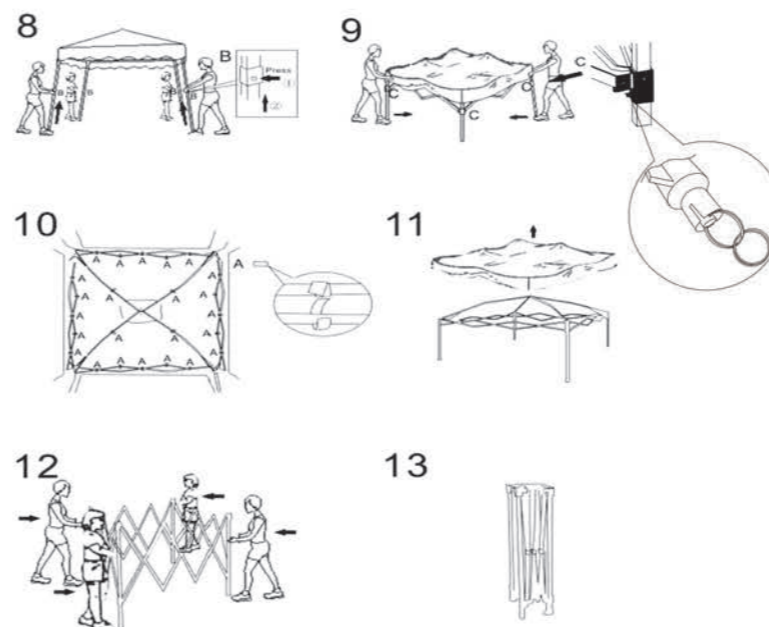
If not you should change to the correct position .



The following is the wrong position ,pls attention to change to the correct position



### CLOSE GENTLY



1. First remove any leg stakes and ropes.
2. Next, disconnect the Velcro straps and remove the sidewalls.
3. With the help of your partner, lift two adjacent legs slightly and pull out the griphook to disengage, once disengaged, push the telescopic inner legs into the outer legs. Repeat this step on the remaining legs.
4. Disconnect the slider at all six corners. by pulling out the pins from locating hole (see diagram 9) , turning the pin with 90 degrees, fixed into short slot. Then release the slider with the other hand, push the slider down.
5. Each partner should grasp the top of the inside corner of the gazebo (see diagram) and lift up slightly. Shake the canopy gently. Pull hands apart while stepping towards your partner until the unit is 75% closed.
6. Grasp the two other legs and lift slightly off the ground. Lastly, push together to fully close the Gazebo.

**\*Make sure the canopy is completely dry before put your folded cover to the storage bag.**

### WARNING

1. Take the canopy out of the box carefully and place on dry surface (sand, grass, or hard surface).
2. Please have at least 2 people helping with the assembly, in order to avoid the damage of steel pole. **DO NOT ATTEMPT TO ASSEMBLE TENT ALONE BECAUSE THIS COULD PUT UNNECESSARY STRESS ON THE LEGS AND THEY COULD GET DAMAGED IF THEY ARE NOT PULLED APART IN TANDEM.**
3. Secure tent in windy conditions by using the rope that is located on each side of the canopy and hammering stakes into the ground at a 30 degree angle to balance the sides of tent. If the canopy is placed on a hard surface, secure the 4 sides with bricks or sand bags to weigh the canopy down.
4. **DO NOT ASSEMBLE TENTS IN RAIN, SEVERE WIND OR SNOWY WEATHER CONDITIONS, BECAUSE THIS WILL DAMAGE YOUR TENT.** It is the owner's responsibility if the tents are set-up and damaged during these conditions.
5. Store your canopy/tent in a cool dry place when not in use.

MADE IN CHINA