



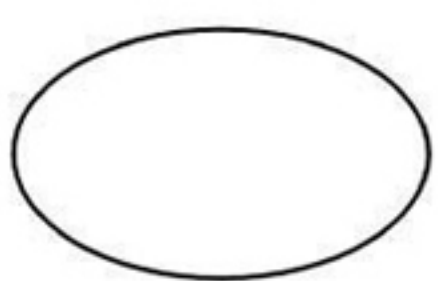
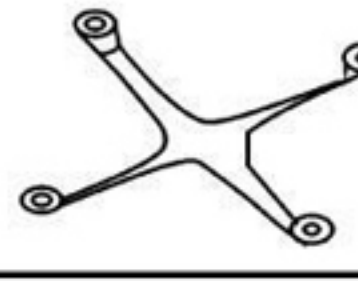
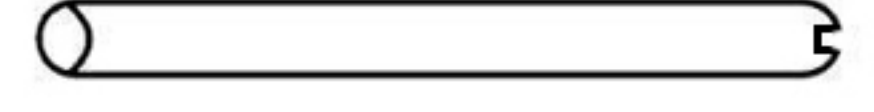




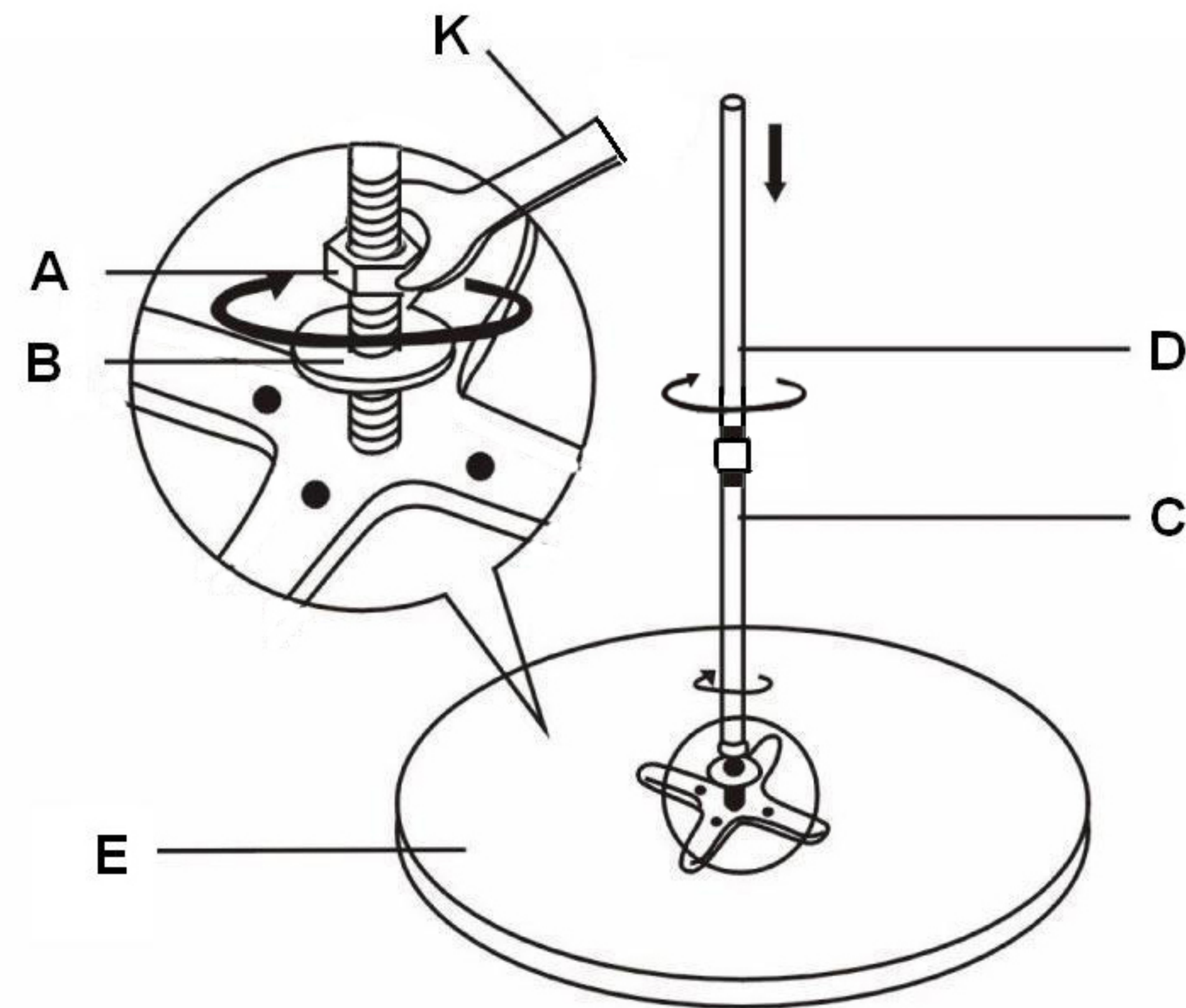
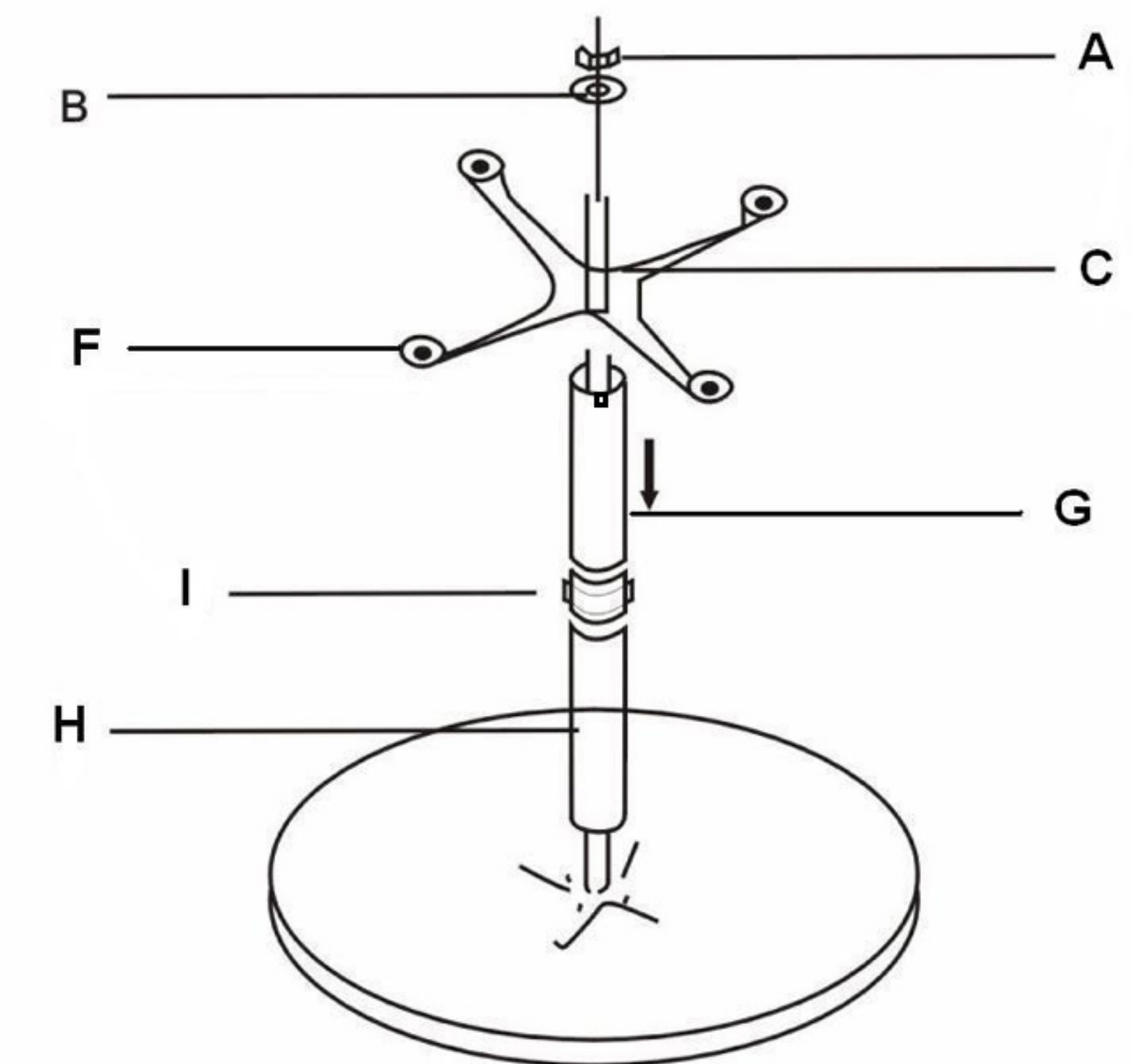


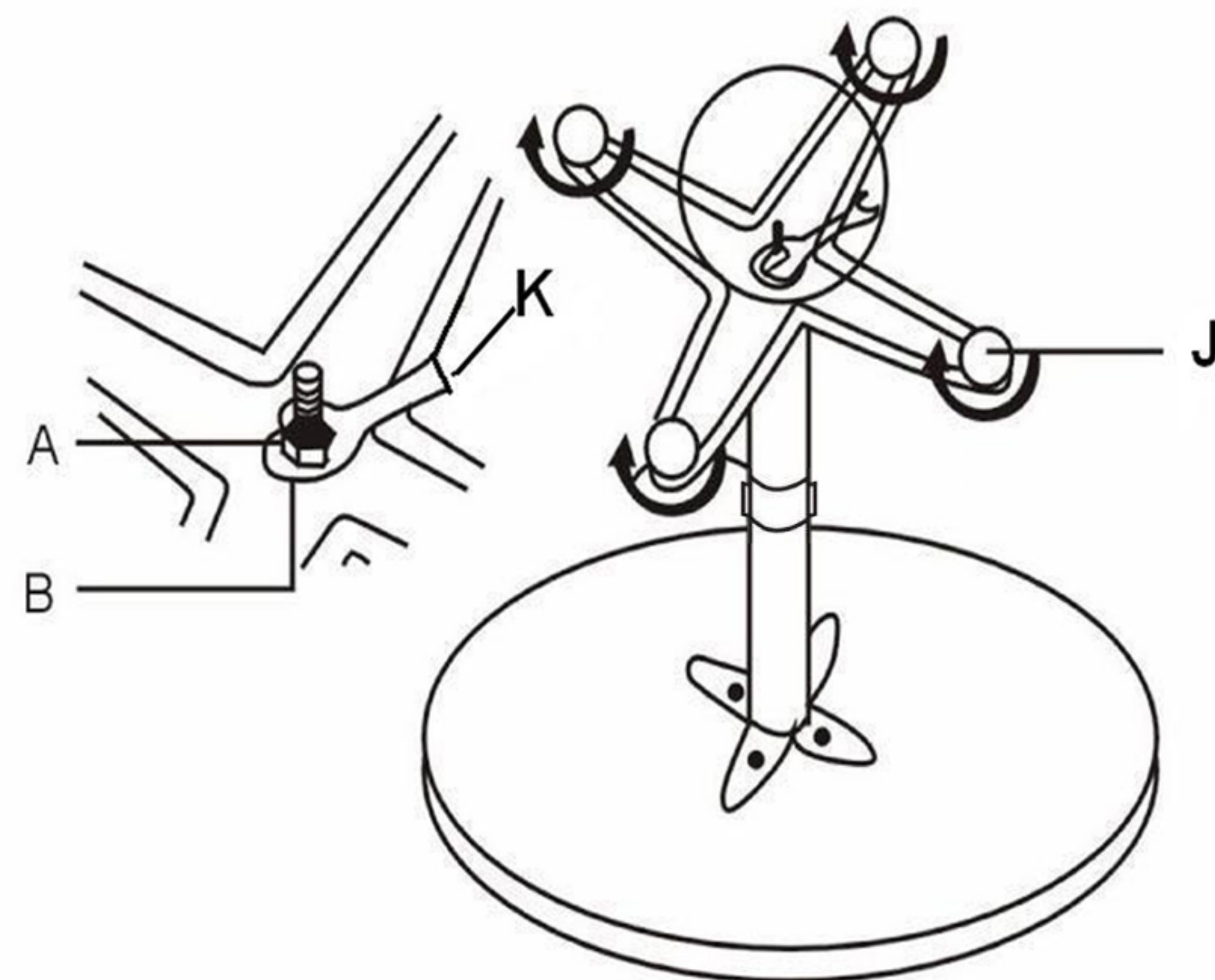
A		X2
B		X2
C		X1
D		X1
E		X1
F		X1
G		X1
H		X1
I		X1
J		X4
K		X1



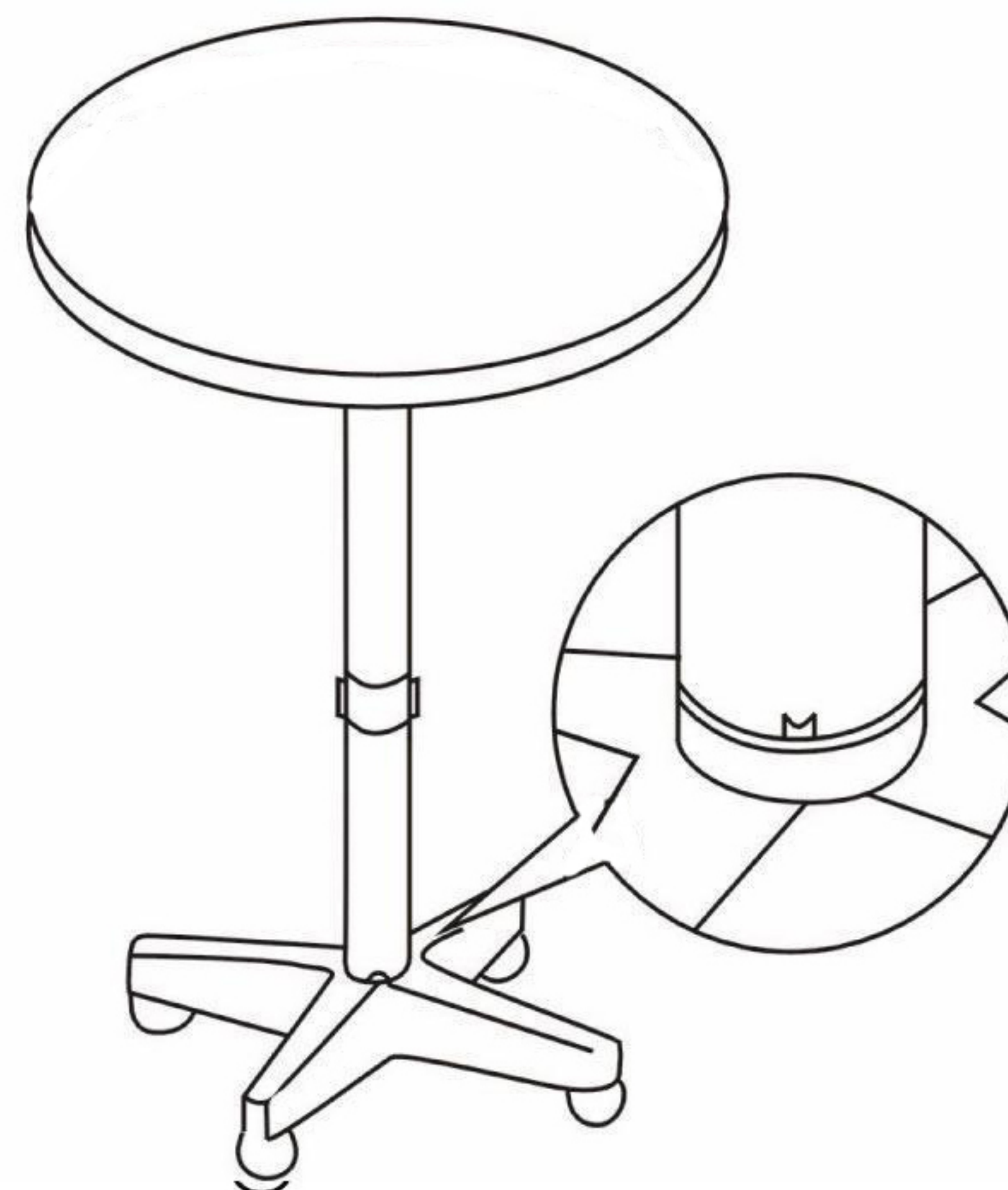
STEP 1



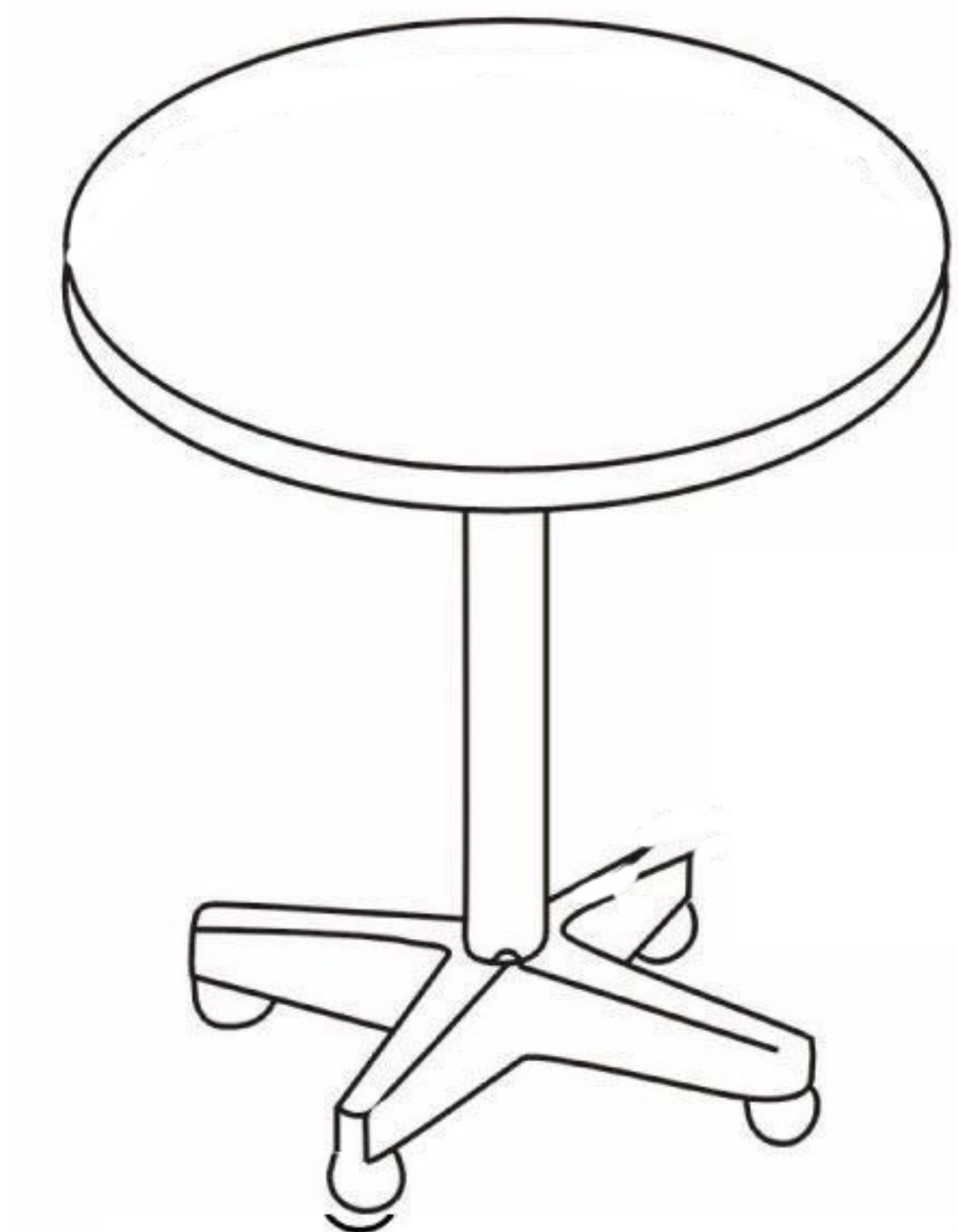
STEP 2



STEP 3



STEP 4



If you want to reduce the height, please don't install part D in step 1 and don't install part H and I in step 2.