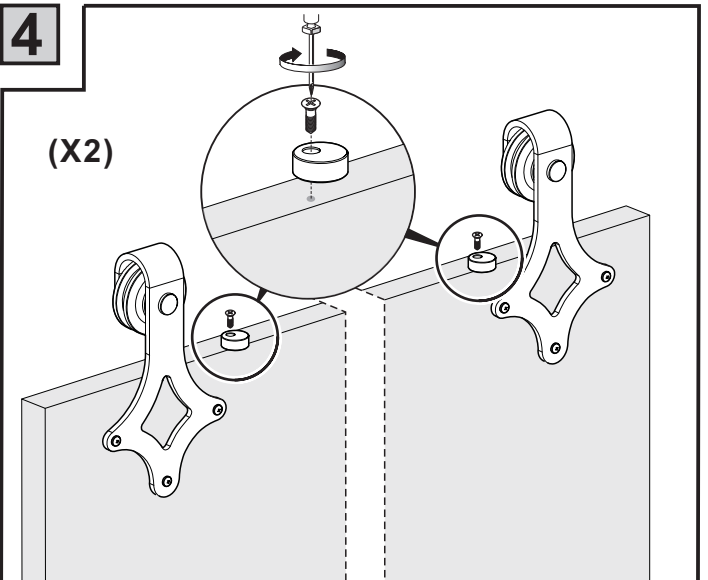
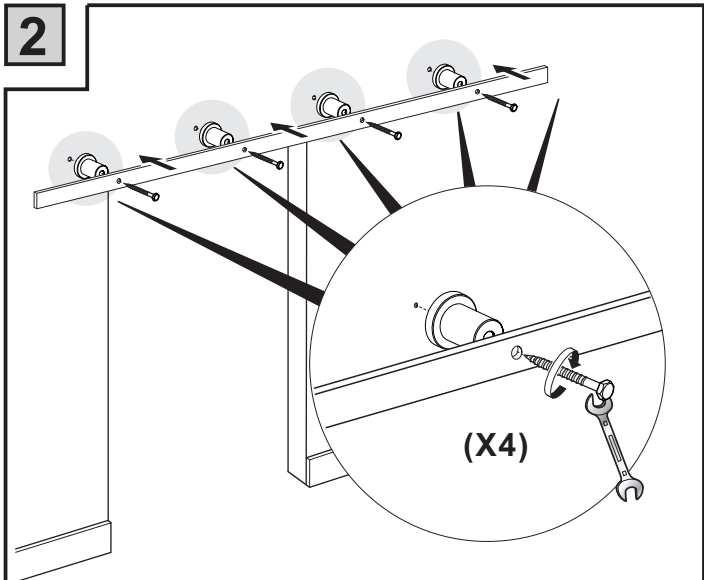
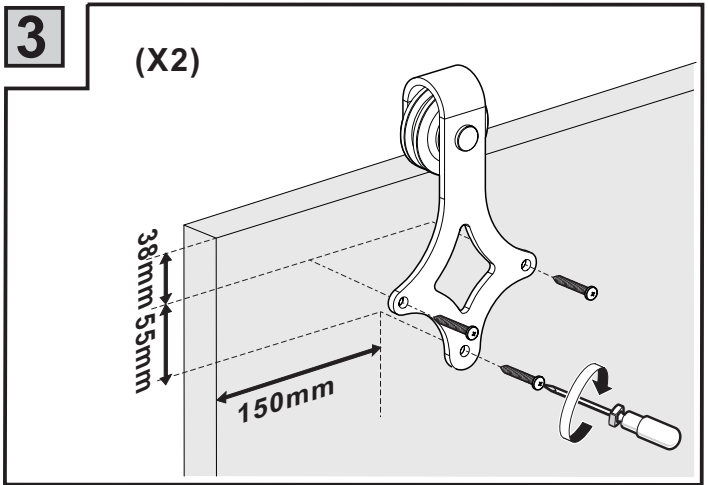
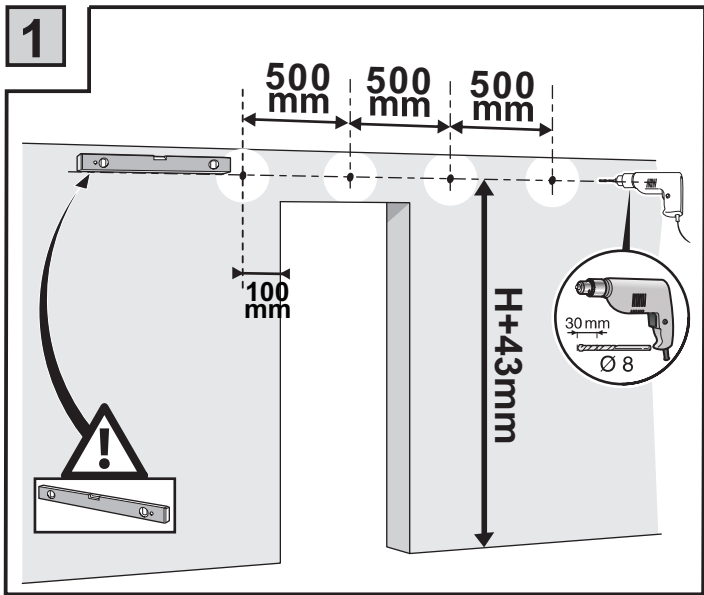
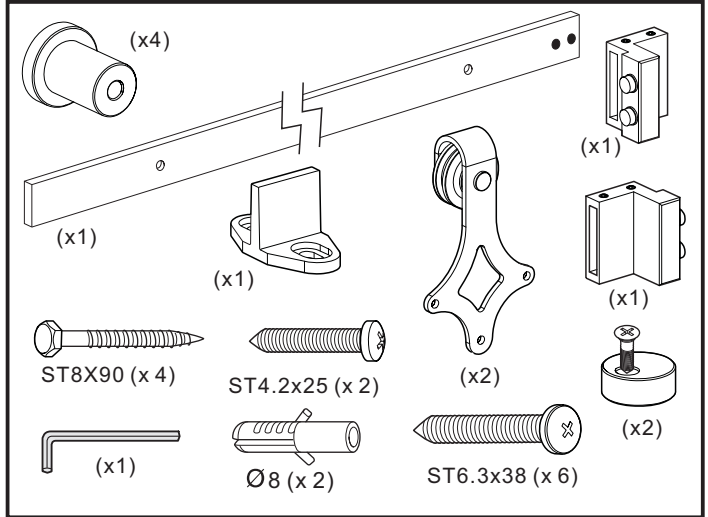
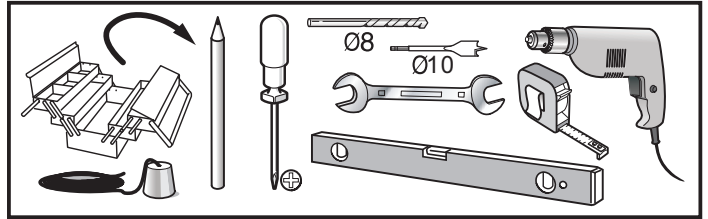
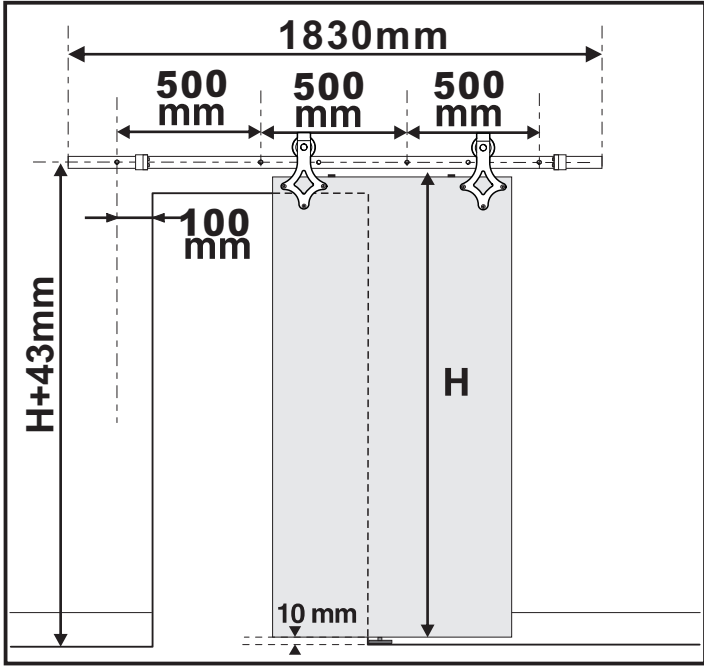
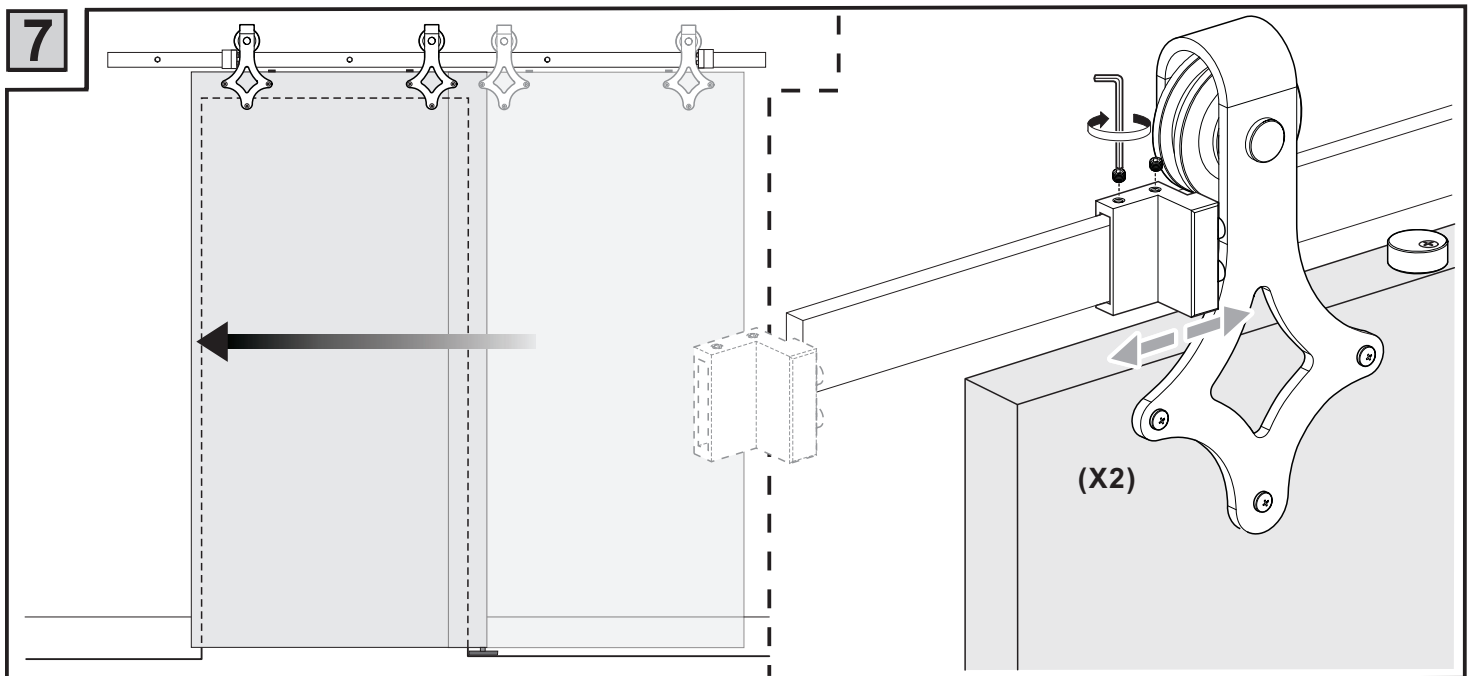
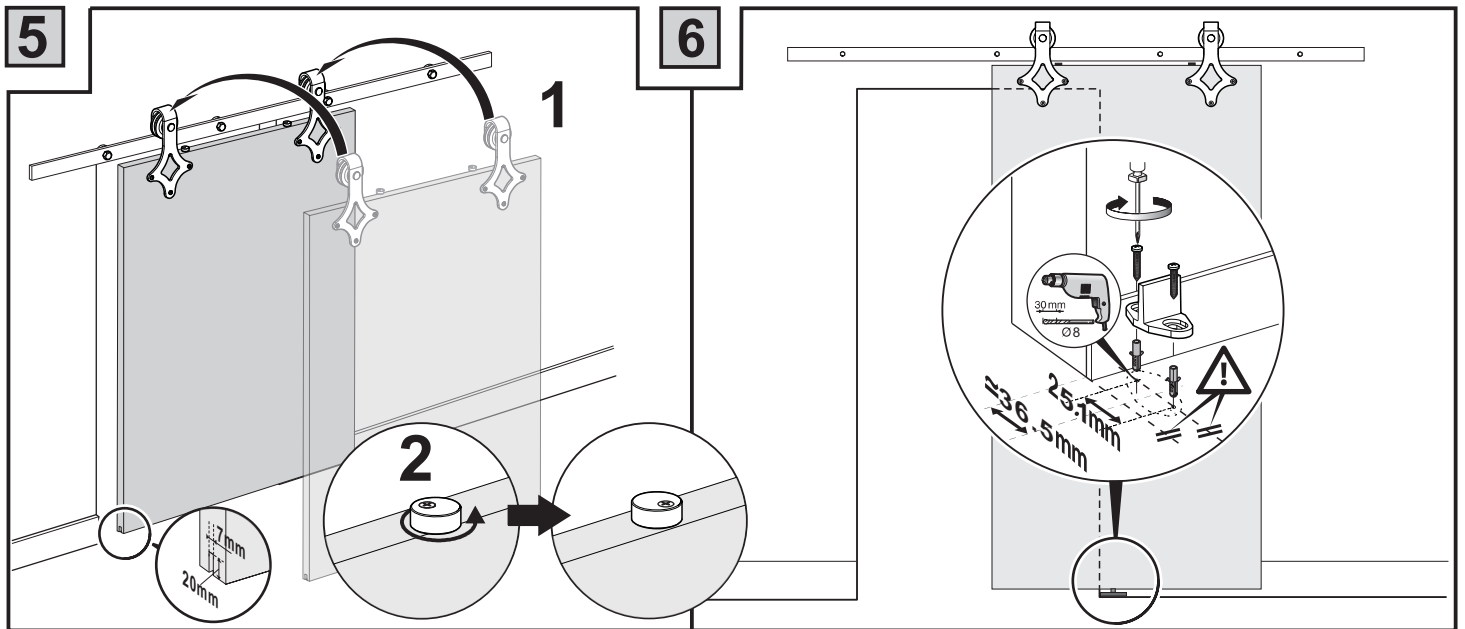


# Installation Manual





- 1830=72"
- 500=19.69"
- 100=3.94"
- 38=1.5"
- 55=2.17"
- 150=5.9"